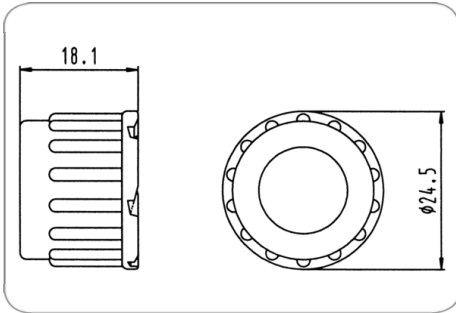




DATAsheet

8P 8-Pin Subminiature D-Sub Connector (DIN 72580)



Part No.	047648
Part Name	8-Pin Subminiature D-Sub Connector
Series	8
Standard	DIN 72580
Material	PG11
KEYWORDS	8P, Zubehör, DIN 72580, 047648

Art.Nr.
Part. No.

047648